



Marine Airbags

 **ZHIYOU MARINE**
Marine & Offshore Equipment Supplier

Shanghai Zhiyou Marine & Offshore Equipment Co., Ltd

Web: www.zhiyoumarine.com

Email: sales@zhiyoumarine.com

Tel: +86 21 5645 2367

Brief

Marine airbags are made of heavy-duty synthetic-tire-cord layers with inner and out rubber layers in long cylindrical balloon shape. The marine airbag is widely used in ship upgrading or launching, caissons lifting, heavy handling, underwater installation of buoyancy and other fields. Generally, the striking feature of marine launching airbags are suitable for many kinds of marine ships: oil tanker, tugboat, barge, ferries etc. The largest launching weight is 85,000 DWT.

Marine airbag consists of outer rubber layer, multi-layer heavy duty composite tire cord layer, inner vulcanized firmly rubber layer. Picture shown on the left is the profile structure of marine airbag. Depending on the multi-layer structure, marine airbags can withstand abrasion and other external forces, even under tough circumstances.

Specification

Dimensions can be customized.

Suitable for marine ships upgrading or launching, caissons lifting, underwater installation etc fields.

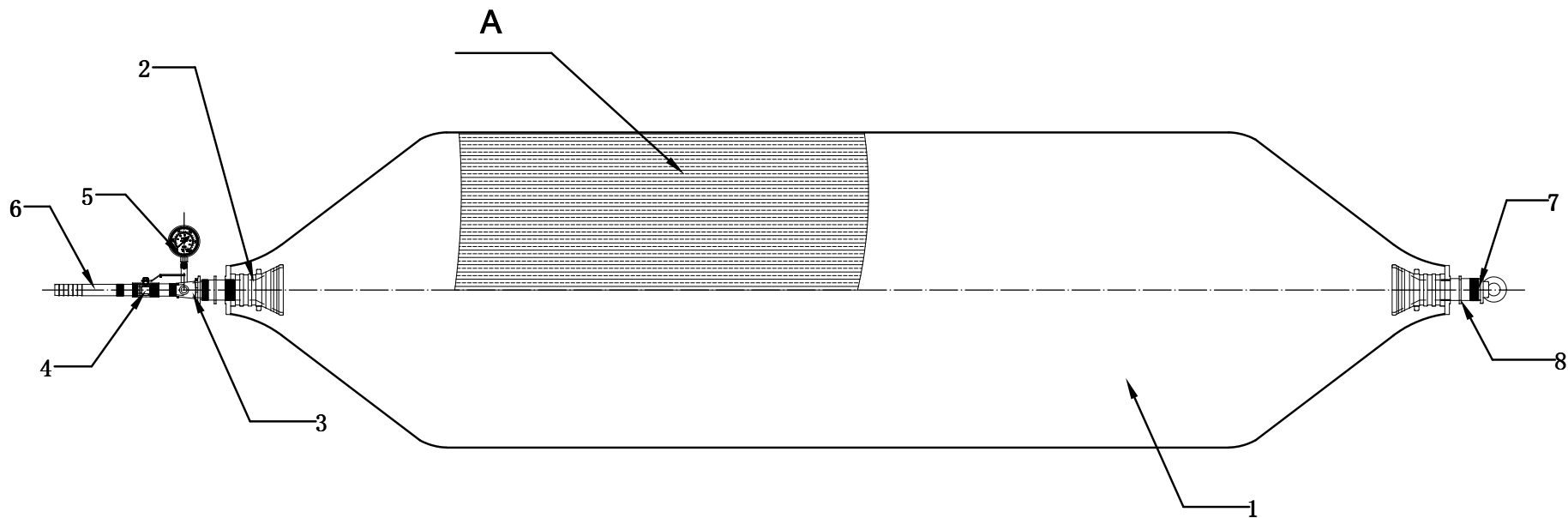
Safety pressure test after manufactured.

Fast delivery. Other requirements.

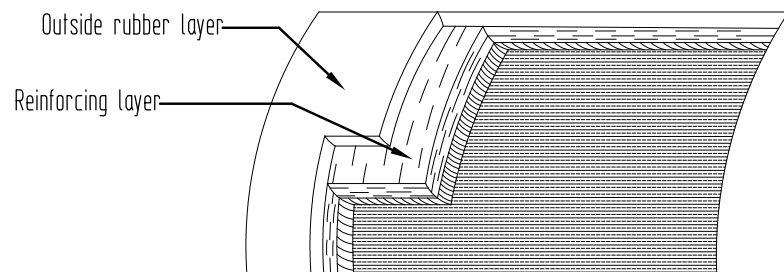
Dimensions

Nominal Diameter m	Working Pressure MPa			Length
	Low P.	Medium P.	High P.	
0.8	0.038~<0.088	0.088~<0.125	≥ 0.125	6~18 m
1.0	0.030~<0.070	0.070~<0.100	≥ 0.100	
1.2	0.025~<0.058	0.058~<0.083	≥ 0.083	
1.5	0.020~<0.047	0.047~<0.067	≥ 0.067	
1.8	0.017~<0.039	0.039~<0.056	≥ 0.056	
2.0	0.015~<0.035	0.035~<0.050	≥ 0.050	


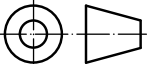
*Note: Contained within the sheet above are dimensions for reference only, customized solution or any other requirements please [contact us](#).



A Structure Construction (Enlarge)



8	Gasket		2	
7	Pull ring		1	
6	Inflatable tube		1	
5	Pressure Gauge		1	
4	Air valve		1	
3	Tee tube		1	
2	Nozzle		2	
1	Body	D1.5mx16m	1	
NO.	NAME	SPECIFICATION	QTY.	REMARK

1		
Rev	Description	Date
Note	All dimensions are in millimeters unless otherwise specified.	
 Shanghai Zhiyou Marine & Offshore Equipment Co., Ltd Room 405, Fudan Software Park, 188 Changyi Road, Shanghai China. Tel: +86-21-5645-2367 Email: sales@zhiyoumarine.com info@marineoutfittings.com Web: www.zhiyoumarine.com www.marineoutfittings.com		
Dwg Name	Marine Air Bag	
	Scale	1:40 @A3
	Sheet	1/1
Dwg No.	ZY-171115-Nig	Arrangement Plan